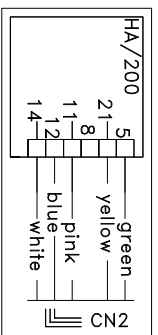
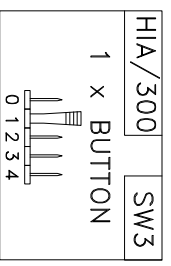
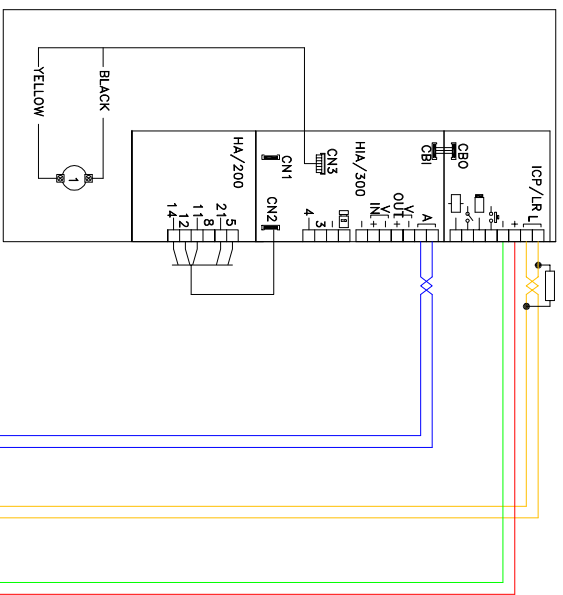


AUDIO
ENTRY PANEL



1. IT IS VITAL THAT THE CLOSING RESISTANCES SHOWN ON THE DRAWING AS 56R & 120R ARE CONNECTED AS INDICATED.

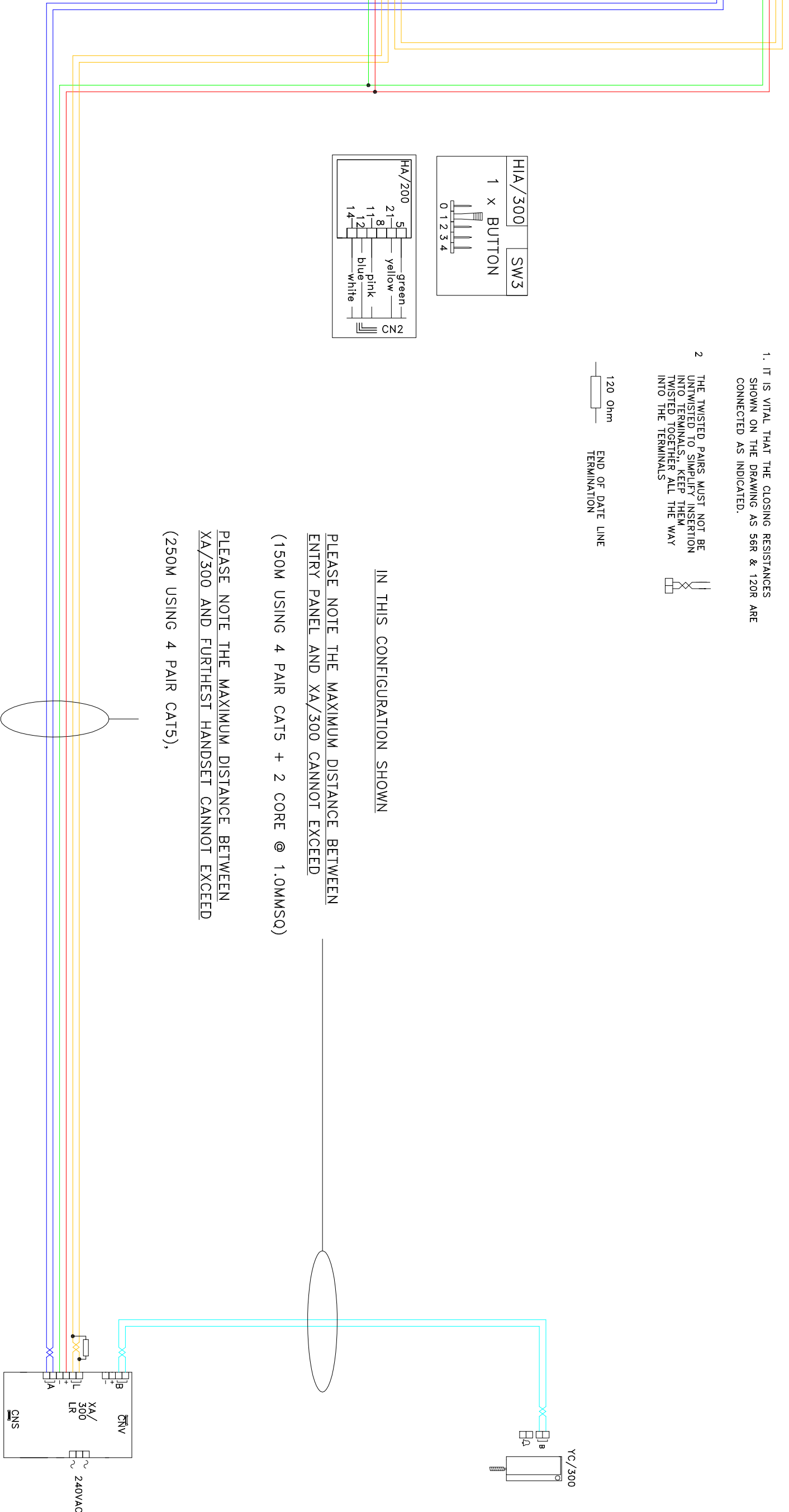
2. THE TWISTED PAIRS MUST NOT BE UNTWISTED TO SIMPLY INSERTION INTO TERMINALS; KEEP THEM TWISTED TOGETHER ALL THE WAY INTO THE TERMINALS



IN THIS CONFIGURATION SHOWN

PLEASE NOTE THE MAXIMUM DISTANCE BETWEEN ENTRY PANEL AND XA/300 CANNOT EXCEED (150M USING 4 PAIR CAT5 + 2 CORE @ 1.0MMSQ)

PLEASE NOTE THE MAXIMUM DISTANCE BETWEEN XA/300 AND FURTHEST HANDSET CANNOT EXCEED (250M USING 4 PAIR CAT5).



BPT (UK) LTD. HERTS. ENGLAND	PREPARED FOR	DATE: 16/05/08	DRAWN: RC
	INSTALLER INFORMATION	REVISED:	
DRAWING TITLE: 1 X 1 BUTTON TARGHA AUDIO ENTRY PANEL (DIST. UPTO 150M) & 1 LYNXA HANDSET		DRAWING No: C-111Y11(A)(AUD)	